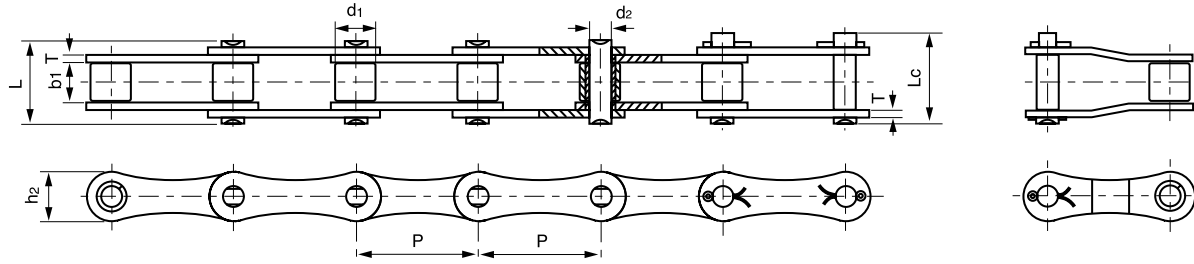


## 'S' TYPE STEEL AGRICULTURAL CHAINS

All 'S' type chain and attachments can be supplied zinc plated.  
Please specify at time of order.

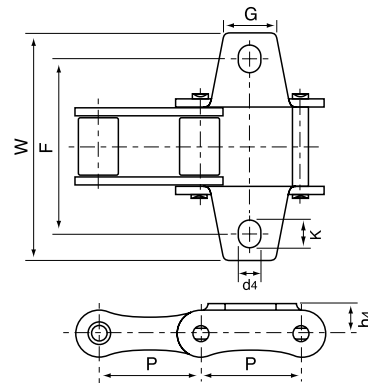


Product Code	Chain No	Pitch	Roller Diameter	Width Between Inner Plates	Pin Diameter	Pin Length		Inner Plate Depth	Plate Thickness	Minimum Tensile Strength	Average Tensile Strength	Weight per Metre
		P mm	d1 max mm	b1 min mm	d2 max mm	L max mm	Lc max mm	h2 max mm	T max mm	Q min kN	Qo kN	q kg/m
431013060FEN	S32	29.21	11.43	15.88	4.45	26.70	28.80	13.20	1.80	8.00	21.60	0.86
431013090FEN	S42	34.93	14.27	19.05	7.00	34.30	37.00	19.80	2.80	27.00	50.80	1.60
431013120FEN	S45	41.40	15.24	22.23	5.72	37.70	40.40	17.30	2.80	18.00	36.10	1.66
431013150FEN	S52	38.10	15.24	22.23	5.72	37.70	40.40	17.30	2.80	18.00	36.10	1.68
431013180FEN	S55	41.40	17.78	22.23	5.72	37.70	40.40	17.30	2.80	18.00	36.10	1.80
431013195FEN	S55R	41.40	17.78	22.23	8.90	41.00	44.00	22.40	3.50	45.00	73.10	2.49
431013210FEN	S62	41.91	19.05	25.40	5.72	40.30	43.00	17.30	2.50	27.00	36.10	1.87
431013240FEN	S77	58.34	18.26	22.23	8.90	43.20	46.40	26.20	4.00	45.00	73.10	2.65
431013270FEN	S88	66.27	22.86	28.58	8.90	49.80	53.00	26.20	4.00	45.00	73.10	3.25

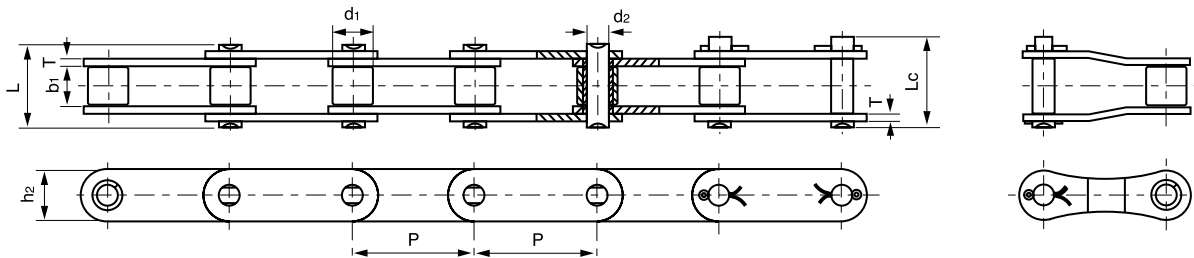
## 'S' TYPE STEEL AGRICULTURAL CHAIN ATTACHMENTS

Chain No	Pitch	Width	Hole Centres	Overall Width	Platform Height	Hole Dia	Elongated Slot Width
	P mm	G mm	F mm	W mm	h4 mm	d4 mm	K mm
S32K1	29.21	15.00	42.90	61.00	8.60	5.30	6.90
S42K1	34.93	17.50	54.00	74.90	14.00	8.30	11.50
S45K1	41.40	22.00	54.00	75.00	11.40	8.50	11.70
S52K1	38.10	19.00	58.80	78.00	11.40	8.30	9.90
S55K1	41.40	22.00	54.00	75.00	11.40	8.50	11.70
S62K1	41.91	22.00	66.80	95.40	11.40	6.50	13.00
S62F2	41.91	22.00	66.80	95.40	11.40	8.30	14.70

## K-ATTACHMENTS



## 'C' TYPE STEEL AGRICULTURAL CHAINS



Product Code	Chain No	Pitch	Roller Diameter	Width Between Inner Plates	Pin Diameter	Pin Length		Plate Depth	Plate Thickness	Minimum Tensile Strength	Average Tensile Strength	Weight per Metre
		P mm	d1 max mm	b1 min mm	d2 max mm	L max mm	Lc max mm	h2 max mm	T max mm	Q min kN	Qo kN	q kg/m
431013460FEN	CA550	41.40	16.87	19.81	7.19	35.00	38.00	19.30	2.80	39.10	51.20	1.94
431013490FEN	CA557	41.40	17.78	20.24	8.00	37.40	40.60	23.10	3.10	55.61	74.30	2.20
431013520FEN	CA620	42.01	17.91	24.51	7.19	41.80	45.20	20.20	3.25	39.10	55.10	2.35