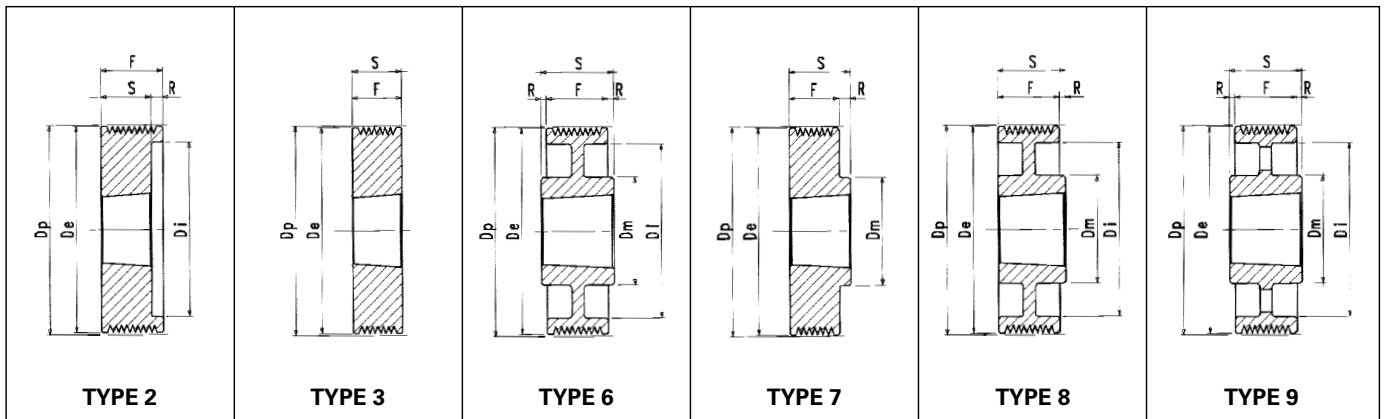


# PolyDrive™ Pulley Dimensional Details

## STANDARD TAPER LOCK PULLEYS for use with PJ section PolyDrive belts



### J8 FACE WIDTH 24mm

Product Code	Designation	Pitch Dia. Dp	Bush No.	Max. bore		Pulley Type	Dm	Di	S	R	Weight - kg
				Metric	Inch						
215J0808	71J8	73	1108	28	1 1/8	2	-	55	22	2	0,40
215J0908	75J8	77	1108	28	1 1/8	2	-	59	22	2	0,48
215J1008	80J8	82	1610	42	1 5/8	7	75	-	25	1	0,58
215J1108	85J8	87	1610	42	1 5/8	7	78	-	25	1	0,68
215J1208	90J8	92	1610	42	1 5/8	7	82	-	25	1	0,79
215J1308	95J8	97	1610	42	1 5/8	7	82	-	25	1	0,78
215J1408	100J8	102	1610	42	1 5/8	7	82	-	25	1	0,91
215J1608	112J8	114	1610	42	1 5/8	7	90	-	25	1	1,30
215J1808	125J8	127	1610	42	1 5/8	7	90	-	25	1	1,65
215J2008	140J8	142	1610	42	1 5/8	8	100	124	25	1	1,80
215J2208	160J8	162	2012	50	2	8	110	144	32	4	1,92
215J2408	180J8	182	2012	50	2	6	110	164	32	4	1,95
215J2608	200J8	202	2012	50	2	6	110	184	32	4	2,30
215J3008	250J8	252	2012	50	2	9	110	234	32	4	2,66
215J3308	315J8	317	2012	50	2	9	110	299	32	4	5,20
215J3508	400J8	402	2517	60	2 1/2	9	125	380	45	10,5	6,00

### J12 FACE WIDTH 32 mm

Product Code	Designation	Pitch Dia. Dp	Bush No.	Max. bore		Pulley Type	Dm	Di	S	R	Weight - kg
				Metric	Inch						
215J0812	71J12	73	1108	28	1 1/8	2	-	55	22	10	0,44
215J0912	75J12	77	1610	42	1 5/8	2	-	64	25	7	0,54
215J1012	80J12	82	1610	42	1 5/8	2	-	66	25	7	0,70
215J1112	85J12	87	1610	42	1 5/8	2	-	69	25	7	0,76
215J1212	90J12	92	1610	42	1 5/8	2	-	74	25	7	0,88
215J1312	95J12	97	1610	42	1 5/8	2	-	79	25	7	0,96
215J1412	100J12	102	1610	42	1 5/8	2	-	84	25	7	1,00
215J1612	112J12	114	1610	42	1 5/8	2	-	96	25	7	1,37
215J1812	125J12	127	2012	50	2	3	-	-	32	-	1,46
215J2012	140J12	142	2517	60	2 1/2	7	125	-	45	13	1,76
215J2212	160J12	162	2517	60	2 1/2	8	125	144	45	13	1,86
215J2412	180J12	182	2517	60	2 1/2	6	125	164	45	6,5	2,62
215J2612	200J12	202	2517	60	2 1/2	6	125	184	45	6,5	3,54
215J3012	250J12	252	2517	60	2 1/2	6	125	234	45	6,5	4,00
215J3312	315J12	317	2517	60	2 1/2	9	125	299	45	6,5	5,20
215J3512	400J12	402	2517	60	2 1/2	9	125	380	45	6,5	7,00

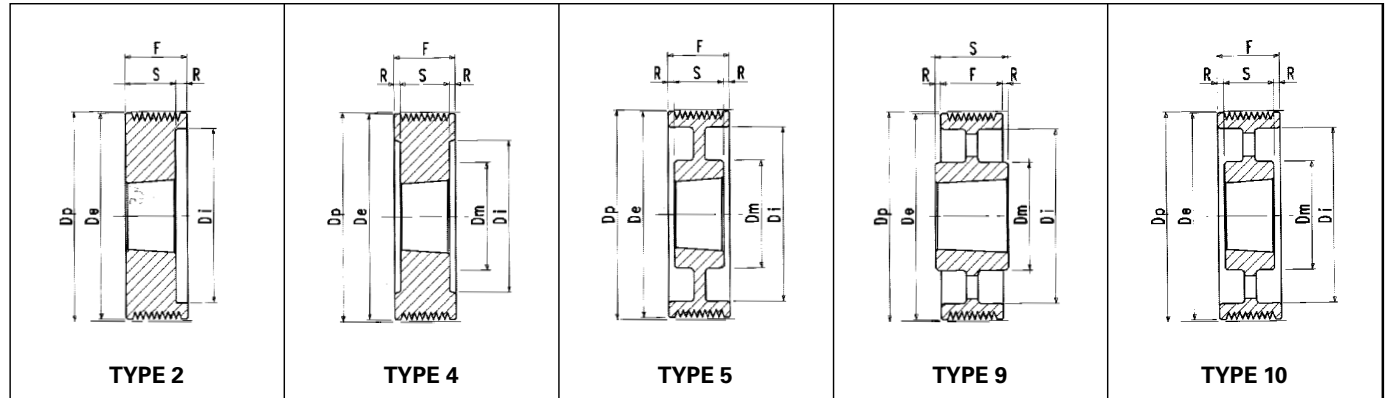
### J16 FACE WIDTH 42 mm

Product Code	Designation	Pitch Dia. Dp	Bush No.	Max. bore		Pulley Type	Dm	Di	S	R	Weight - kg
				Metric	Inch						
215J0816	71J16	73	1210	32	1 1/4	2	-	57	25	17	0,50
215J0916	75J16	77	1610	42	1 5/8	2	-	64	25	17	0,62
215J1016	80J16	82	1610	42	1 5/8	2	-	66	25	17	0,74
215J1116	85J16	87	1610	42	1 5/8	2	-	69	25	17	0,87
215J1216	90J16	92	1610	42	1 5/8	2	-	74	25	17	0,98
215J1316	95J16	97	1610	42	1 5/8	2	-	79	25	17	0,97
215J1416	100J16	102	1610	42	1 5/8	2	-	84	25	17	1,22
215J1616	112J16	114	1610	42	1 5/8	2	-	96	25	17	1,50
215J1816	125J16	127	2012	50	2	2	-	109	32	10	1,96
215J2016	140J16	142	2517	60	2 1/2	7	125	-	45	3	2,62
215J2216	160J16	162	2517	60	2 1/2	7	125	-	45	3	2,53
215J2416	180J16	182	2517	60	2 1/2	6	125	164	45	1,5	4,40
215J2616	200J16	202	2517	60	2 1/2	6	125	184	45	1,5	4,70
215J3016	250J16	252	2517	60	2 1/2	6	125	234	45	1,5	4,87
215J3316	315J16	317	2517	60	2 1/2	9	125	299	45	1,5	6,00
215J3516	400J16	402	3020	75	3	9	146	380	51	4,5	8,70

All above pulleys manufactured from grey cast iron material

# PolyDrive™ Pulley Dimensional Details

## STANDARD TAPER LOCK PULLEYS for use with PL section PolyDrive belts



FRICTION BELT DRIVES

### L8 FACE WIDTH 46 mm

Product Code	Designation	Pitch Dia. Dp	Bush No.	Max. bore		Pulley Type	Dm	Di	S	R	Weight - kg
				Metric	Inch						
215L0908	75L8	80	1210	32	1¼	2	-	55	25	21	0,64
215L1008	80L8	85	1210	32	1¼	2	-	56	25	21	0,67
215L1108	85L8	90	1210	32	1¼	2	-	61	25	21	0,77
215L1208	90L8	95	1610	42	1⅝	2	-	66	25	21	1,00
215L1308	95L8	100	1610	42	1⅝	2	-	71	25	21	1,30
215L1408	100L8	105	1610	42	1⅝	2	-	76	25	21	1,10
215L1508	106L8	111	1610	42	1⅝	2	-	82	25	21	1,19
215L1608	112L8	117	1610	42	1⅝	2	-	88	25	21	1,20
215L1808	125L8	130	2012	50	2	2	-	101	32	14	1,80
215L2008	140L8	145	2517	60	2½	2	-	116	45	1	2,48
215L2208	160L8	165	2517	60	2½	2	-	136	45	1	2,85
215L2408	180L8	185	2517	60	2½	5	125	156	45	0,5	4,10
215L2608	200L8	205	2517	60	2½	5	125	176	45	0,5	4,67
215L2808	224L8	229	2517	60	2½	5	125	200	45	0,5	5,10
215L3008	250L8	255	2517	60	2½	5	125	226	45	0,5	6,40
215L3308	315L8	320	3020	75	3	9	170	285	51	2,5	6,80
215L3508	400L8	405	3020	75	3	9	170	370	51	2,5	9,20
215L3708	500L8	505	3020	75	3	9	170	470	51	2,5	13,00

### L12 FACE WIDTH 67 mm

Product Code	Designation	Pitch Dia. Dp	Bush No.	Max. bore		Pulley Type	Dm	Di	S	R	Weight - kg
				Metric	Inch						
215L0912	75L12	80	1210	32	1¼	2	-	55	25	42	1,00
215L1012	80L12	85	1210	32	1¼	2	-	56	25	42	1,15
215L1112	85L12	90	1610	42	1⅝	2	-	65	25	42	1,18
215L1212	90L12	95	1610	42	1⅝	2	-	66	25	42	1,30
215L1312	95L12	100	1610	42	1⅝	2	-	71	25	42	1,55
215L1412	100L12	105	2012	50	2	2	-	82	32	35	1,40
215L1512	106L12	111	2012	50	2	2	-	82	32	35	1,80
215L1612	112L12	117	2012	50	2	2	-	88	32	35	2,00
215L1812	125L12	130	2517	60	2½	4	-	101	45	11	2,50
215L2012	140L12	145	2517	60	2½	4	-	116	45	11	3,40
215L2212	160L12	165	2517	60	2½	4	-	136	45	11	4,90
215L2412	180L12	185	2517	60	2½	5	125	156	45	11	5,40
215L2612	200L12	205	3020	75	3	4	-	176	51	8	6,20
215L2812	224L12	229	3020	75	3	4	-	200	51	8	7,50
215L3012	250L12	255	3020	75	3	5	170	226	51	8	8,00
215L3312	315L12	320	3525	90	3½	5	190	285	65	1	10,80
215L3512	400L12	405	3525	90	3½	10	190	370	65	1	13,30
215L3712	500L12	505	3525	90	3½	10	190	470	65	1	20,00

### L16 FACE WIDTH 86 mm

Product Code	Designation	Pitch Dia. Dp	Bush No.	Max. bore		Pulley Type	Dm	Di	S	R	Weight - kg
				Metric	Inch						
215L1116	85L16	90	1610	42	1⅝	4	-	65	25	30,5	1,18
215L1216	90L16	95	1610	42	1⅝	4	-	66	25	30,5	1,60
215L1316	95L16	100	1610	42	2⅝	4	-	71	25	30,5	1,70
215L1416	100L16	105	2012	50	2	4	-	82	32	27	1,77
215L1516	106L16	111	2012	50	2	4	-	82	32	27	2,30
215L1616	112L16	117	2012	50	2	4	-	88	32	27	2,49
215L1816	125L16	130	2517	60	2½	4	-	101	45	20,5	2,80
215L2016	140L16	145	2517	60	2½	4	-	116	45	20,5	4,10
215L2216	160L16	165	2517	60	2½	4	-	136	45	20,5	5,50
215L2416	180L16	185	3020	75	3	4	-	156	51	17,5	5,80
215L2616	200L16	205	3020	75	3	4	-	176	51	17,5	7,40
215L2816	224L16	229	3020	75	3	4	-	200	51	17,5	9,80
215L3016	250L16	255	3020	75	3	5	170	226	51	17,5	13,00
215L3316	315L16	320	3525	90	3½	5	190	285	65	10,5	17,00
215L3516	400L16	405	3525	90	3½	10	190	370	65	10,5	21,30
215L3716	500L16	505	3525	90	3½	10	190	470	65	10,5	25,00

All above pulleys manufactured from grey cast iron material