

5mm PITCH (5M) HTD PULLEYS (for use with HTD belts only)

Catalogue Code	No. of Grooves	Pulley Designation	Pulley Type	Bush No.	Max Bore		Pitch Dia.	Outside Dia.	A	F	J	K	L	M	N
					Metric	Inch									
043F0028	28	28-5M-15	1F	6mm*	19	3/4	44,56	43,42	49	22	-	-	30	8	31
043F0032	32	32-5M-15	1F	8mm*	22	7/8	50,93	49,79	56	22	-	-	30	8	38
043F0034	34	34-5M-15	2F	1008	25	1	54,11	52,97	57	22	-	-	22	0	0
043F0036	36	36-5M-15	2F	1108	28	1 1/8	57,30	56,15	60	22	-	-	22	0	0
043F0038	38	38-5M-15	2F	1108	28	1 1/8	60,48	59,34	67	22	-	-	22	0	0
043F0040	40	40-5M-15	2F	1108	28	1 1/8	63,66	62,52	71	22	-	-	22	0	0
043F0044	44	44-5M-15	2F	1108	28	1 1/8	70,03	68,89	75	22	-	-	22	0	0
043F0048	48	48-5M-15	2F	1210	32	1 1/4	76,39	75,25	83	22	-	-	25	3	59
043F0056	56	56-5M-15	2F	1210	32	1 1/4	89,13	87,98	93	22	-	-	25	3	75
043F0064	64	64-5M-15	2F	1210	32	1 1/4	101,86	100,72	106	22	-	-	25	3	80
043F0072	72	72-5M-15	11	1610	42	1 5/8	114,59	113,45	-	22	-	-	25	3	92
043F0080	80	80-5M-15	11	1610	42	1 5/8	127,32	126,18	-	22	-	-	25	3	92
043F0090	90	90-5M-15	11	1610	42	1 5/8	143,24	142,10	-	22	-	-	25	3	92
043F0112	112	112-5M-15	11	1610	50	2	178,25	177,11	-	20	-	-	32	12	110
043F0136	136	136-5M-15	11	2012	50	2	216,45	215,31	-	20	-	-	32	12	110

These pulleys are used for both 15mm wide and 9mm wide (non-stock) belts. Dimensions in millimetres unless otherwise stated.

* Pilot bore only

Prime functional dimensions are correct at the time of publication. Pulley types and non-functional dimensions may vary.

Fenner Torque Drive PLUS[®] 2 8MGT & HTD 8M Pulleys

8mm PULLEYS (20mm WIDE BELT)

Catalogue Code	No. of Grooves	Pulley Designation	Pulley Type	Bush No.	Max Bore		Pitch Dia.	Outside Dia.	A	F	J	K	L	M	N
					Metric	Inch									
043J0022	22	22-8M-20	4F	1008	25	1	56,02	54,65	60	28	37	6	22	-	-
043J0024	24	24-8M-20	4F	1108	28	1 1/8	61,12	59,75	66	28	44	6	22	-	-
043J0026	26	26-8M-20	4F	1108	28	1 1/8	66,21	64,84	70	28	45	6	22	-	-
043J0028	28	28-8M-20	4F	1108	28	1 1/8	71,30	70,08	75	28	50	6	22	-	-
043J0030	30	30-8M-20	4F	1108	28	1 1/8	76,39	75,13	83	28	58	6	22	-	-
043J0032	32	32-8M-20	4F	1610	42	1 5/8	81,49	80,16	87	28	63	3	25	-	-
043J0034	34	34-8M-20	4F	1610	42	1 5/8	86,58	85,22	91	28	64	3	25	-	-
043J0036	36	36-8M-20	4F	1610	42	1 5/8	91,67	90,30	97	28	68	3	25	-	-
043J0038	38	38-8M-20	4F	1610	42	1 5/8	96,77	95,39	102	28	72	3	25	-	-
043J0040	40	40-8M-20	4F	1610	42	1 5/8	101,86	100,49	106	28	76	3	25	-	-
043J0044	44	44-8M-20	2F	2012	50	2	112,05	110,67	120	28	0	-	32	4	92
043J0048	48	48-8M-20	2F	2012	50	2	122,23	120,86	128	28	0	-	32	4	96
043J0056	56	56-8M-20	2F	2012	50	2	142,60	141,23	150	28	0	-	32	4	110
043J0064	64	64-8M-20	2F*	2012	50	2	162,97	161,60	168	28	137	-	32	4	110
043J0072	72	72-8M-20	2F*	2012	50	2	183,35	181,97	192	28	158	-	32	4	110
043J0080	80	80-8M-20	9	2012	50	2	203,72	202,35	-	28	180	0	32	4	110
043J0090	90	90-8M-20	9	2012	50	2	229,18	227,81	-	28	204	0	32	4	110

* These pulleys are recessed to a plate centre – under rim diameter J.

8mm PULLEYS (30mm WIDE BELT)

Catalogue Code	No. of Grooves	Pulley Designation	Pulley Type	Bush No.	Max Bore		Pitch Dia.	Outside Dia.	A	F	J	K	L	M	N
					Metric	Inch									
043K0022	22	22-8M-30	4F	1008	25	1	56,02	54,65	60	38	37	16	22	0	-
043K0024	24	24-8M-30	4F	1108	28	1 1/8	61,12	59,75	66	38	44	16	22	0	-
043K0026	26	26-8M-30	4F	1108	28	1 1/8	66,21	64,84	70	38	44	16	22	0	-
043K0028	28	28-8M-30	4F	1210	32	1 1/4	71,30	70,08	75	38	50	13	25	0	-
043K0030	30	30-8M-30	2F	1615	42	1 5/8	76,39	75,13	83	38	0	0	38	0	-
043K0032	32	32-8M-30	2F	1615	42	1 5/8	81,49	80,16	87	38	0	0	38	0	-
043K0034	34	34-8M-30	2F	1615	42	1 5/8	86,58	85,22	91	38	0	0	38	0	-
043K0036	36	36-8M-30	2F	1615	42	1 5/8	91,67	90,30	97	38	0	0	38	0	-
043K0038	38	38-8M-30	2F	1615	42	1 5/8	96,77	95,39	102	38	0	0	38	0	-
043K0040	40	40-8M-30	2F	1615	42	1 5/8	101,86	100,49	106	38	0	0	38	0	-
043K0044	44	44-8M-30	4F	2012	50	2	112,05	110,67	120	38	86	6	32	0	-
043K0048	48	48-8M-30	4F	2012	50	2	122,23	120,86	128	38	90	6	32	0	-
043K0056	56	56-8M-30	4F	2012	50	2	142,60	141,23	150	38	110	6	32	0	-
043K0064	64	64-8M-30	2F*	2517	60	2 1/2	162,97	161,60	168	38	0	0	45	7	125
043K0072	72	72-8M-30	2F*	2517	60	2 1/2	183,35	181,97	192	38	158	0	45	7	125
043K0080	80	80-8M-30	9	2517	60	2 1/2	203,72	202,35	-	38	180	0	45	7	125
043K0090	90	90-8M-30	9	2517	60	2 1/2	229,18	227,81	-	38	204	0	45	7	125
043K0112	112	112-8M-30	9	2517	60	2 1/2	285,21	283,83	-	38	254	0	45	7	125
043K0144	144	144-8M-30	8	2517	60	2 1/2	366,69	365,32	-	38	336	0	45	7	125

8mm PULLEYS (50mm WIDE BELT)

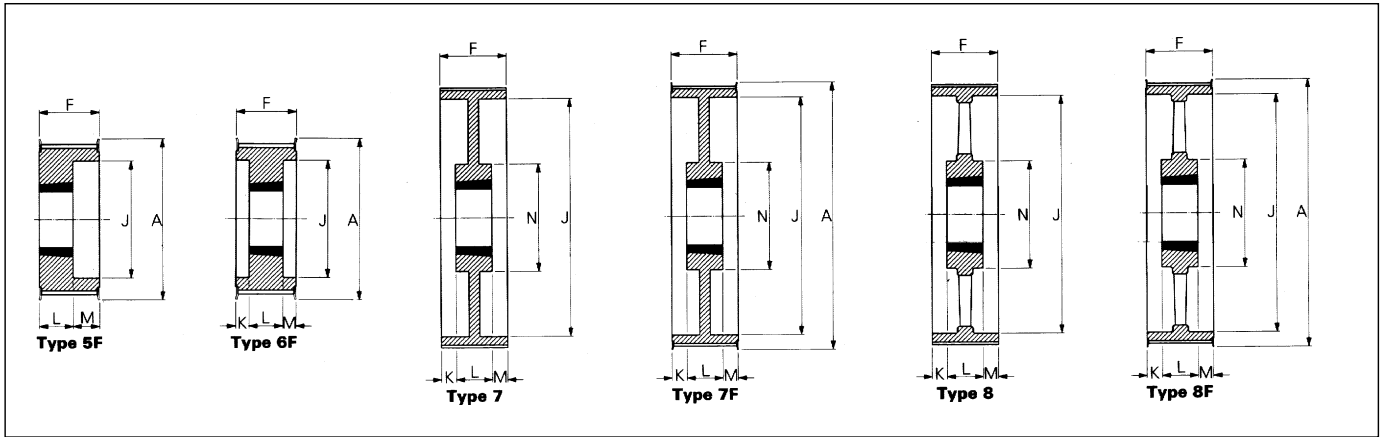
Catalogue Code	No. of Grooves	Pulley Designation	Pulley Type	Bush No.	Max Bore		Pitch Dia.	Outside Dia.	A	F	J	K	L	M	N
					Metric	Inch									
043L0028	28	28-8M-50	4F	1210	32	1 1/4	71,30	70,08	75	60	50	35	25	0	-
043L0030	30	30-8M-50	4F	1615	42	1 5/8	76,39	75,13	83	60	58	22	38	0	-
043L0032	32	32-8M-50	4F	1615	42	1 5/8	81,49	80,16	87	60	63	22	38	0	-
043L0034	34	34-8M-50	4F	1615	42	1 5/8	86,58	85,22	91	60	65	22	38	0	-
043L0036	36	36-8M-50	4F	1615	42	1 5/8	91,67	90,30	97	60	68	22	38	0	-
043L0038	38	38-8M-50	4F	1615	42	1 5/8	96,77	95,39	102	60	72	22	38	0	-
043L0040	40	40-8M-50	6F	2012	50	2	101,86	100,49	106	60	80	14	32	14	-
043L0044	44	44-8M-50	6F	2012	50	2	112,05	110,67	120	60	86	14	32	14	-
043L0048	48	48-8M-50	6F	2012	50	2	122,23	120,86	128	60	95	14	32	14	-
043L0056	56	56-8M-50	6F	2517	60	2 1/2	142,60	141,23	150	60	116	7,5	45	7,5	-
043L0064	64	64-8M-50	6F	2517	60	2 1/2	162,97	161,60	168	60	136	7,5	45	7,5	-
043L0072	72	72-8M-50	7F	2517	60	2 1/2	183,35	181,97	192	60	158	7,5	45	7,5	125
043L0080	80	80-8M-50	6	3020	75	3	203,72	202,35	-	60	180	4,5	51	4,5	-
043L0090	90	90-8M-50	7	3020	75	3	229,18	227,81	-	60	204	4,5	51	4,5	160
043L0112	112	112-8M-50	7	3020	75	3	285,21	283,83	-	60	254	4,5	51	4,5	170
043L0144	144	144-8M-50	8	3020	75	3	366,69	365,32	-	60	336	4,5	51	4,5	170
043L0168	168	168-8M-50	10	3525	100	4	427,81	426,44	-	60	395	2,5	65	2,5	198
043L0192	192	192-8M-50	10	3525	100	4	488,92	487,55	-	60	455	2,5	65	2,5	198

8mm PULLEYS (85mm WIDE BELT)

Catalogue Code	No. of Grooves	Pulley Designation	Pulley Type	Bush No.	Max Bore		Pitch Dia.	Outside Dia.	A	F	J	K	L	M	N
					Metric	Inch									
043M0034	34	34-8M-85	6F	1615	42	1 5/8	86,58	85,22	91	95	65	28	38	28	-
043M0036	36	36-8M-85	6F	1615	42	1 5/8	91,67	90,30	97	95	68	28	38	28	-
043M0038	38	38-8M-85	6F	1615	42	1 5/8	96,77	95,39	102	95	72	28	38	28	-
043M0040	40	40-8M-85	6F	2012	50	2	101,86	100,49	106	95	80	31	32	31	-
043M0044	44	44-8M-85	6F	2012	50	2	112,05	110,67	120	95	86	31	32	31	-
043M0048	48	48-8M-85	6F	2517	60	2 1/2	122,23	120,86	128	95	97	25	45	25	-
043M0056	56	56-8M-85	6F	2517	60	2 1/2	142,60	141,23	150	95	116	25	45	25	-
043M0064	64	64-8M-85	6F	2517	60	2 1/2	162,97	161,60	168	95	136	25	45	25	-
043M0072	72	72-8M-85	6F	3020	75	3	183,35	181,97	192	95	150	22	51	22	-
043M0080	80	80-8M-85	6	3020	75	3	203,72	202,35	-	95	180	22	51	22	-
043M0090	90	90-8M-85	6	3020	75	3	229,18	227,81	-	95	204	22	51	22	-
043M0112	112	112-8M-85	7	3020	75	3	285,21	283,83	-	95	254	22	51	22	170
043M0144	144	144-8M-85	7	3525	100	4	366,69	365,32	-	95	336	15	65	15	198
043M0168	168	168-8M-85	8	3525	100	4	427,81	426,44	-	95	395	15	65	15	198
043M0192	192	192-8M-85	8	3525	100	4	488,92	487,55	-	95	455	15	65	15	198

Dimensions in millimetres unless otherwise stated.

Prime functional dimensions are correct at the time of publication.
Pulley types and non-functional dimensions may vary.



14mm PULLEYS (40mm WIDE BELT)

Catalogue Code	No. of Grooves	Pulley Designation	Pulley Type	Bush No.	Max Bore		Pitch Dia.	Outside Dia.	A	F	J	K	L	M	N
					Metric	Inch									
043N0028	28	28-14M-40	6F	2012	50	2	124,78	122,12	128	54	94	11	32	11	-
043N0029	29	29-14M-40	6F	2012	50	2	129,23	126,57	138	54	98	11	32	11	-
043N0030	30	30-14M-40	6F	2012	50	2	133,69	130,99	138	54	98	11	32	11	-
043N0032	32	32-14M-40	6F	2012	50	2	142,60	139,88	154	54	108	11	32	11	-
043N0034	34	34-14M-40	6F	2517	60	2 1/2	151,51	148,79	160	54	110	4,5	45	4,5	-
043N0036	36	36-14M-40	6F	2517	60	2 1/2	160,43	157,68	168	54	120	4,5	45	4,5	-
043N0038	38	38-14M-40	6F	2517	60	2 1/2	169,34	166,60	183	54	130	4,5	45	4,5	-
043N0040	40	40-14M-40	6F	2517	60	2 1/2	178,25	175,49	188	54	138	4,5	45	4,5	-
043N0044	44	44-14M-40	6F	3020	75	3	196,08	193,28	211	54	155	1,5	51	1,5	-
043N0048	48	48-14M-40	6F	3020	75	3	213,90	211,11	226	54	170	1,5	51	1,5	-
043N0056	56	56-14M-40	6F	3020	75	3	249,55	246,76	256	54	208	1,5	51	1,5	-
043N0064	64	64-14M-40	7F	3020	75	3	285,21	282,41	296	54	240	1,5	51	1,5	170
043N0072	72	72-14M-40	7	3020	75	3	320,86	318,06	-	54	280	1,5	51	1,5	170
043N0080	80	80-14M-40	8	3020	75	3	356,51	353,71	-	54	315	1,5	51	1,5	170
043N0090	90	90-14M-40	8	3020	75	3	401,07	398,28	-	54	360	1,5	51	1,5	170
043N0112	112	112-14M-40	8	3020	75	3	499,11	496,32	-	54	457	1,5	51	1,5	170
043N0144	144	144-14M-40	8	3020	75	3	641,71	638,92	-	54	600	1,5	51	1,5	170
043N0168	168	168-14M-40	8	3020	75	3	748,66	745,87	-	54	706	1,5	51	1,5	170
043N0192	192	192-14M-40	8	3020	75	3	855,62	852,82	-	54	813	1,5	51	1,5	170

14mm PULLEYS (55mm WIDE BELT)

Catalogue Code	No. of Grooves	Pulley Designation	Pulley Type	Bush No.	Max Bore		Pitch Dia.	Outside Dia.	A	F	J	K	L	M	N
					Metric	Inch									
043P0028	28	28-14M-55	6F	2012	50	2	124,78	122,12	128	70	94	19	32	19	-
043P0029	29	29-14M-55	6F	2012	50	2	129,23	126,57	138	70	100	19	32	19	-
043P0030	30	30-14M-55	6F	2517	60	2 1/2	133,69	130,99	138	70	100	12,5	45	12,5	-
043P0032	32	32-14M-55	6F	2517	60	2 1/2	142,60	139,88	154	70	108	12,5	45	12,5	-
043P0034	34	34-14M-55	6F	2517	60	2 1/2	151,51	148,79	160	70	110	12,5	45	12,5	-
043P0036	36	36-14M-55	6F	2517	60	2 1/2	160,43	157,68	168	70	120	12,5	45	12,5	-
043P0038	38	38-14M-55	6F	2517	60	2 1/2	169,34	166,60	183	70	130	12,5	45	12,5	-
043P0040	40	40-14M-55	6F	2517	60	2 1/2	178,25	175,49	188	70	138	12,5	45	12,5	-
043P0044	44	44-14M-55	6F	3020	75	3	196,08	193,28	211	70	155	9,5	51	9,5	-
043P0048	48	48-14M-55	6F	3020	75	3	213,90	211,11	226	70	170	9,5	51	9,5	-
043P0056	56	56-14M-55	6F	3020	75	3	249,55	246,76	256	70	208	9,5	51	9,5	-
043P0064	64	64-14M-55	7F	3020	75	3	285,21	282,41	296	70	240	9,5	51	9,5	170
043P0072	72	72-14M-55	8	3020	75	3	320,86	318,06	-	70	280	9,5	51	9,5	170
043P0080	80	80-14M-55	8	3020	75	3	356,51	353,71	-	70	315	9,5	51	9,5	170
043P0090	90	90-14M-55	8	3020	75	3	401,07	398,28	-	70	360	9,5	51	9,5	170
043P0112	112	112-14M-55	8	3020	75	3	499,11	496,32	-	70	457	9,5	51	9,5	170
043P0144	144	144-14M-55	8	3020	75	3	641,71	638,92	-	70	600	9,5	51	9,5	170
043P0168	168	168-14M-55	8	3020	75	3	748,66	745,87	-	70	706	9,5	51	9,5	170
043P0192	192	192-14M-55	8	3020	75	3	855,62	852,82	-	70	813	9,5	51	9,5	170

14mm PULLEYS (85mm WIDE BELT)

Catalogue Code	No. of Grooves	Pulley Designation	Pulley Type	Bush No.	Max Bore		Pitch Dia.	Outside Dia.	A	F	J	K	L	M	N
					Metric	Inch									
043R0028	28	28-14M-85	6F	2517	60	2 1/2	124,78	122,12	128	102	98	28,5	45	28,5	-
043R0029	29	29-14M-85	6F	2517	60	2 1/2	129,33	126,57	138	102	60	28,5	45	28,5	-
043R0030	30	30-14M-85	6F	2517	60	2 1/2	133,69	130,99	138	102	100	28,5	45	28,5	-
043R0032	32	32-14M-85	6F	2517	60	2 1/2	142,60	139,88	154	102	108	28,5	45	28,5	-
043R0034	34	34-14M-85	6F	2517	60	2 1/2	151,51	148,79	160	102	110	28,5	45	28,5	-
043R0036	36	36-14M-85	6F	3020	75	3	160,43	157,68	168	102	125	25,5	51	25,5	-
043R0038	38	38-14M-85	6F	3020	75	3	169,34	166,60	183	102	130	25,5	51	25,5	-
043R0040	40	40-14M-85	6F	3020	75	3	178,25	175,49	188	102	138	25,5	51	25,5	-
043R0044	44	44-14M-85	6F	3030	75	3	196,08	193,28	211	102	155	13,0	76	13,0	-
043R0048	48	48-14M-85	6F	3030	75	3	213,90	211,11	226	102	170	13,0	76	13,0	-
043R0056	56	56-14M-85	6F	3525	100	4	249,55	246,76	256	102	210	18,5	65	18,5	-
043R0064	64	64-14M-85	7F	3525	100	4	285,21	282,41	296	102	240	18,5	65	18,5	-
043R0072	72	72-14M-85	7	3525	100	4	320,86	318,06	-	102	280	18,5	65	18,5	178
043R0080	80	80-14M-85	7	3525	100	4	356,51	353,71	-	102	315	18,5	65	18,5	178
043R0090	90	90-14M-85	8	3525	100	4	401,07	398,28	-	102	360	18,5	65	18,5	178
043R0112	112	112-14M-85	8	3525	100	4	499,11	496,32	-	102	457	18,5	65	18,5	178
043R0144	144	144-14M-85	8	3525	100	4	641,71	638,92	-	102	600	18,5	65	18,5	206
043R0168	168	168-14M-85	8	3525	100	4	748,66	745,87	-	102	706	18,5	65	18,5	206
043R0192	192	192-14M-85	8	4040	115	4 1/2	855,62	852,82	-	102	813	0,0	102	0,0	216

Dimensions in millimetres unless otherwise stated. Taper Lock pulleys for use with 14MR and 14M belts of 115mm and 170mm widths are available. Consult FPT.

Prime functional dimensions are correct at the time of publication. Pulley types and non-functional dimensions may vary.